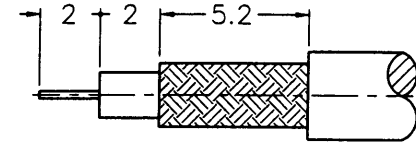
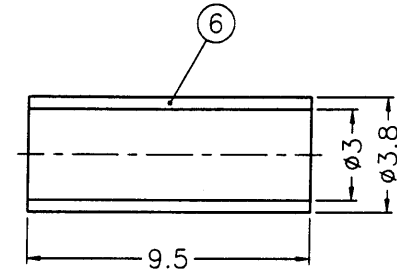
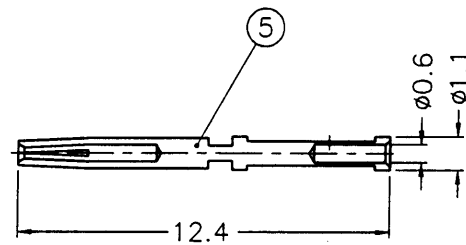
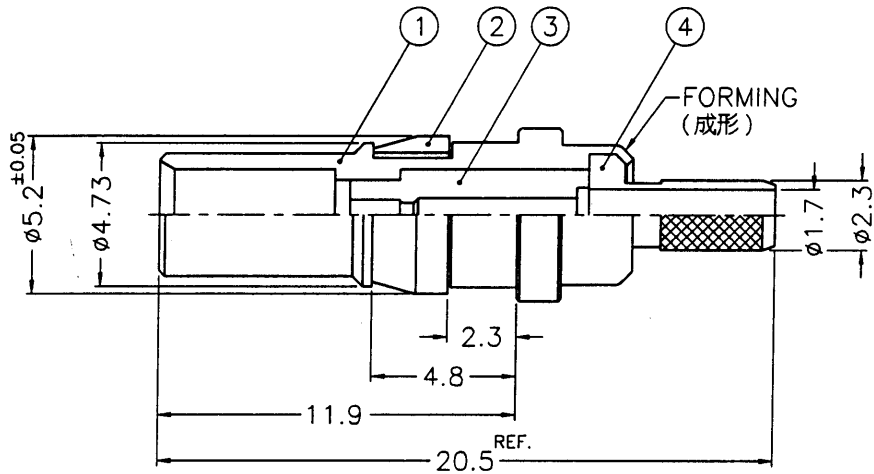


業務部



RECOMMENDED  
CABLE STRIPPING DIM'S  
(建議剝線尺寸)



出圖  
2004.25  
設計部

NOTES: FINISH (PLATING THICKNESS IN MICRO-INCHES)

1. BRASS PER QQ-B-626
2. BERYLLIUM COPPER PER QQ-C-530
3. NICKEL PL. 100 MIN. THICK OVER COPPER STRIKE
4. GOLD PL. 3 MIN. THICK OVER NICKEL PL. 100 MIN. THICK OVER COPPER STRIKE
5. GOLD PL. 30 MIN. THICK OVER NICKEL PL. 100 MIN. THICK OVER COPPER STRIKE
6. TEFLON MIL-P-19468

1. CRIMPED FERRULE  
HEX CRIMP SIZE .128"
2. CONTACT PIN TO SOLDER

NO.	DESCRIPTION	MATERIAL	FINISH	Q'TY	DRAWING NO.	SCALE	4/1	ISSUE	A
6	FERRULE	COPPER	NONE	1	FR-38/3X95C	DIMENSIONS ARE IN MILLIMETERS UNLESS OTHERWISE SPECIFIED TOLERANCES 0.5-6 = ±0.2 6-30 = ±0.4 30-120 = ±0.6 120-315 = ±1 315-1000 = ±1.6 1000-2000 = ±2.4			
5	CONTACT PIN	NOTE 2	NOTE 5	1	1236421A1-4-11/06-75				
4	BARREL	NOTE 1	NOTE 3	1	MCX6121A1-4-23/17-B				
3	INSULATOR	NOTE 6	NATURAL	1	1236121B1-3T-75				
2	RETAINER RING	NOTE 2	NOTE 3	1	SZ11111C1-5BE-B				
1	BODY	NOTE 1	NOTE 4	1	1236121B1-1				
PART NO.						APPROVED <i>A.R.C.</i> DATE 04-18-01'			
TITLE						CHECKED <i>Andy.C</i> DATE 04-18-01'			
DRAWING NO.						DRAWN <i>Scott</i> DATE 04-18-01'			
FILE NO.						F:\DWG\123\6121B1\179U-75\N3GT30G			

Amphenol - Kai Jack

TAINAN TAIWAN

TITLE 1.0/2.3 CRIMP JACK  
(FOR RG-179/U, 187A/U)

DRAWING NO. KJ-1236121B1-N/3GT30G-179U-75

RD8DR/2050