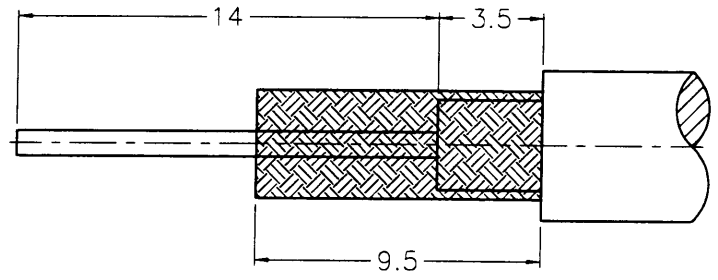


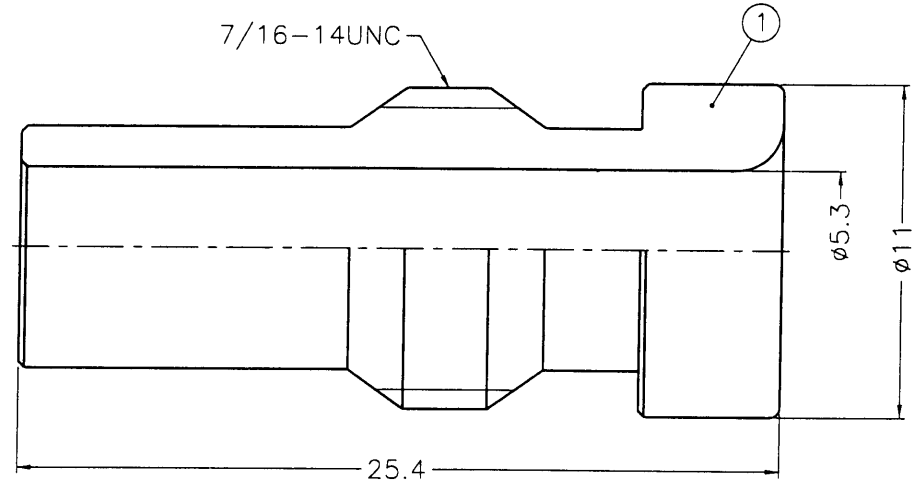
1 2 3 4 5 6 7 8

REVISIONS		
ISS	ZONE	DESCRIPTION \ APPROVED \ DATE
A	A-7	U0181A1 WAS U5296 \ TONY. T \ 11-22-94'
	A-1	NO.1 WAS CHANGED \ TONY. T \ 11-22-94'

業務部



RECOMMENDED  
CABLE STRIPPING DIM'S



出圖  
87.2.05  
R&D

NOTES: 1. PER KAI JACK SPEC. EP-SS-9700  
2. BRASS PER QQ-B-626

DIMENSIONS ARE IN MILLIMETERS			PART NO.		
UNLESS OTHERWISE SPECIFIED TOLERANCES			APPROVED <i>[Signature]</i> DATE 01-13-98'		
0.5-6 = ±0.2			CHECKED <i>[Signature]</i> DATE 01-13-98'		
6-30 = ±0.4			DRAWN <i>[Signature]</i> DATE 01-13-98'		
30-120 = ±0.6					
120-315 = ±1					
315-1000 = ±1.6					
1000-2000 = ±2.4					

<p>KAI JACK INDUSTRIAL CO., LTD. TAINAN TAIWAN R.O.C.</p>	
TITLE REDUCER (FOR RG-58C/U, 58/U)	
DRAWING NO. KJ-U0181A1	
FILE NO. F:\DWG\U\0181A1\00	

NO.	DESCRIPTION	MATERIAL	FINISH	Q'TY	DRAWING NO.
1	REDUCER			1	U0181A1

SCALE	4/1	ISSUE	A
-------	-----	-------	---

F  
E  
D  
C  
B  
A

F  
E  
D  
C  
B  
A