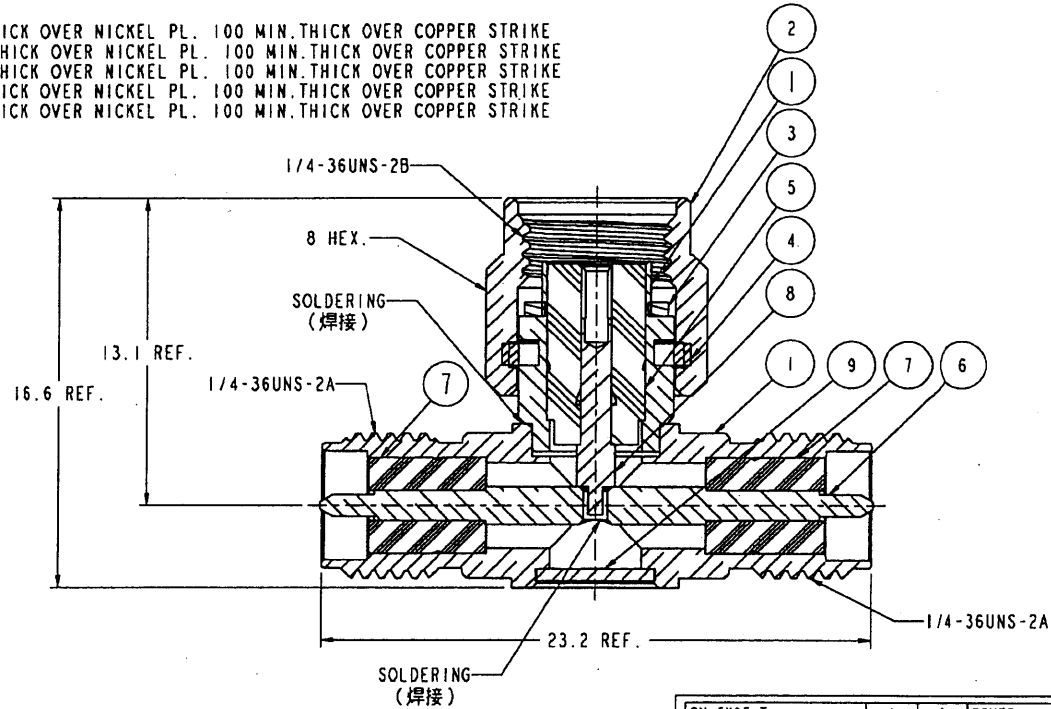


NOTES: FINISH(PLATING THICKNESS IN MICRO-INCHES)

1. PLATING PER AMPHENOL SPEC. 349-50560.(FOR USA)  
 PLATING PER KAI JACK SPEC. EP-SS-9700 (FOR CHINA)

SUMMARY:

CV-5X05-T GOLD PL. 3 MIN. THICK OVER NICKEL PL. 100 MIN. THICK OVER COPPER STRIKE  
 SMA9073A1-8---- GOLD PL. 50 MIN. THICK OVER NICKEL PL. 100 MIN. THICK OVER COPPER STRIKE  
 SMA8073A1-4---- GOLD PL. 50 MIN. THICK OVER NICKEL PL. 100 MIN. THICK OVER COPPER STRIKE  
 SMA5000-1-D GOLD PL. 3 MIN. THICK OVER NICKEL PL. 100 MIN. THICK OVER COPPER STRIKE  
 SMA9073A1-1S---- GOLD PL. 3 MIN. THICK OVER NICKEL PL. 100 MIN. THICK OVER COPPER STRIKE



THIRD ANGLE PROJ. ⊕ ⊖

REVISIONS

REV	DESCRIPTION	DATE	ECO	APPR
1	PRELIMINARY RELEASE	04-Jun-08		LL

PART NUMBER	QTY.	ITEM	DESCRIPTION	FINISH	MATERIAL
CV-5X05-T	1	9	COVER	NOTE 1	BRASS
SMA9073A1-8----	1	8	CONTACT PIN	NOTE 1	BERYLLIUM COPPER
SMA7071A2-2T-50-B	2	7	INSULATOR	NATURAL	TEFLON
SMA8073A1-4----	1	6	CONTACT PIN	NOTE 1	BRASS
SMA5072A2-9T-50	1	5	INSULATOR	NATURAL	TEFLON
RR00AADO3A	1	4	RETAINER RING	NATURAL	SUS 304
GS-6/43X06	1	3	GASKET	RED	SILICONE
SMA5000-1-D	1	2	SHELL	NOTE 1	BRASS
SMA9073A1-1S----	1	1	HOUSING WITH BODY	NOTE 1	BRASS

UNLESS OTHERWISE SPECIFIED, DIMENSIONS ARE IN METRIC AND TOLERANCES ARE:  
 0.5 - 6mm ±0.1mm 6 - 30mm ±0.2mm 30 - 120mm ±0.3mm ANGLES ±1°

NOTICE - These drawings, specifications, or other data (1) are, and remain the property of Amphenol Corp. (2) must be returned upon request; and (3) are confidential and not to be disclosed to any person other than those to whom they are given by Amphenol Corp., or to any other person to anyone for any purpose is not to be regarded by implication or otherwise in any manner licensing, granting rights to permitting such holder or any other person to manufacture, use or sell any product, process or design, patented or otherwise, that may in any way be related to or disclosed by said drawings, specifications, or other data.

MATERIAL

DRAWN

DATE

L.L.I

04-Jun-08

ENGINEER

DATE

APPROVED

DATE

CAD FILE

FINISH

1:\SMA\RSMA9073A1-3GT50G-50

TITLE

R/P SMA "T" ADAPTOR  
 JACK-PLUG-JACK

SCALE: 5.0:1.0

DWG SIZE

B

SHEET 1 OF 2

CODE ID

74868

REV

1

Amphenol RF  
 Danbury CT USA, Tainan, Taiwan, Shenzhen, China  
 www.amphenolrf.com

DRAWING NO. RSMA9073A1-3GT50G-50

ITEM NO. 619073AAA98GA5F

PART NO.

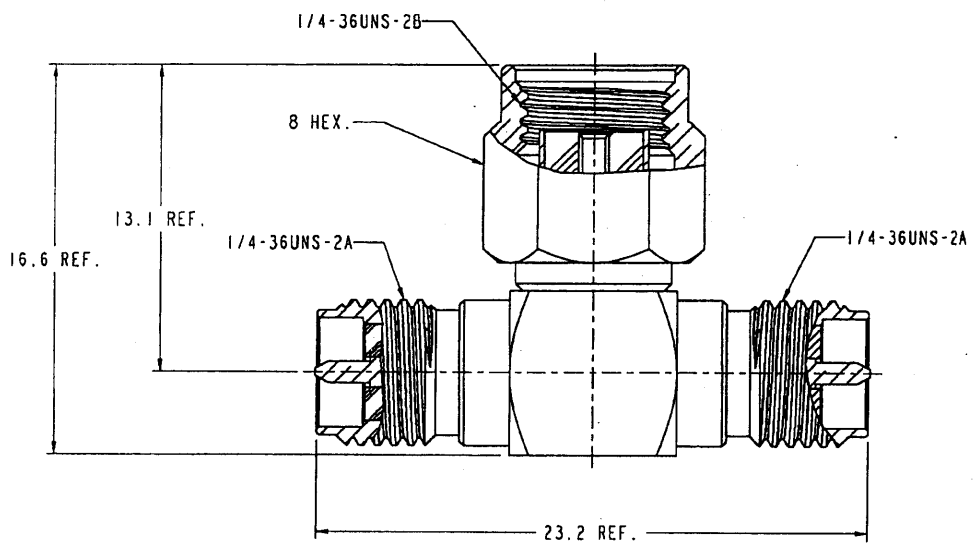
THIRD ANGLE PROJ.

REVISIONS

REV	DESCRIPTION	DATE	ECO	APPR
1	PRELIMINARY RELEASE	04-Jun-08		LL

NOTES:

- MATERIALS AND FINISHES(PLATING THICKNESS IN MICRO-INCHES):  
 BODY - BRASS, GOLD PLATING  
 CONTACT - BERYLLIUM COPPER AND BRASS, GOLD PLATING  
 INSULATOR - PTFE, NATURAL
- ELECTRICAL:  
 A. IMPEDANCE: 50 OHM  
 B. FREQUENCY RANGE: DC - 12.4 GHz  
 C. DIELECTRIC WITHSTANDING VOLTAGE: 1000 VRMS, MIN.
- MECHANICAL:  
 A. DURABILITY: 500 CYCLES, MIN.  
 B. TEMPERATURE RANGE: -65°C TO +165°C



**CUSTOMER OUTLINE DRAWING**  
 ALL OTHER SHEETS ARE FOR INTERNAL USE ONLY

UNLESS OTHERWISE SPECIFIED, DIMENSIONS ARE IN METRIC AND TOLERANCES ARE:  
 0.5 - 6mm ±0.1mm    6 - 30mm ±0.2mm    30 - 120mm ±0.3mm    ANGLES ±1°

NOTICE - These drawings, specifications, or other data (1) are, and remain the property of Amphenol corp. (2) must be returned upon request; and (3) are confidential and not to be disclosed to any person other than those to whom they are given by Amphenol Corp. The furnishing of these drawings, specifications, or other data by Amphenol Corp., or to any other person to anyone for any purpose is not to be regarded by implication or otherwise in any manner licensing, granting rights to, permitting such holder or any other person to manufacture, use or sell any product, process or design, patented or otherwise, that may in any way be related to or disclosed by said drawings, specifications, or other data.

MATERIAL	DRAWN L.L.I	DATE 04-Jun-08	TITLE R/P SMA "T" ADAPTOR JACK-PLUG-JACK		Amphenol RF Danbury CT USA, Taiwan, Taiwan, Shenzhen, China www.amphenolrf.com	
	ENGINEER	DATE <i>05-Jun-08</i>				
REFERENCE	APPROVED <i>Andy C</i>	DATE <i>06-05-08</i>	SCALE: 5.0:1.0		DRAWING NO. R5MA9073A1-3GT50G-50	
	CAD FILE 1:V5MA\RSMA9073A1-3GT50G-50	DWG SIZE B	CODE 19 74868	REV 1	ITEM NO. 619073AAA98GA5F	
FINISH				SHEET 2 OF 2		PART NO.